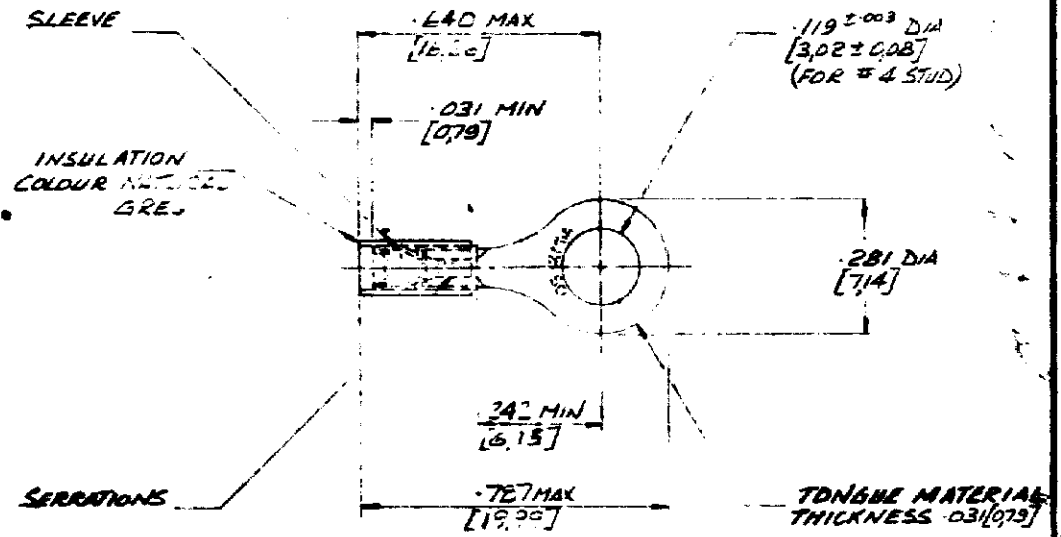


NUMBER
C-152654

3/4 ANGLE (AMERICAN) PROJECTION

DIMENSIONS IN INCHES. DO NOT SCALE PRINT
 DIMENSIONS THUS [] IN MM.



FROZEN

FOR 045-050 [114-2.03] WIRE INS. DIA.

				C. ACRAFT WAREHOUSE		CUSTOMER COPY	
				DATA BOOK 10-170		REFERENCE ONLY	
E. H. ...				MATERIAL AND TOL. -		AMP Industrial <small>A CRAFT WAREHOUSE PRODUCTS</small>	
D. ...				LOPPER ANNEALED NICKEL PLATED			
C. ...				WIRE RANGE - INSULATION		RING TONGUE	
B. ...				20 SEC. ACC. I.E.		RESTRICTED SLEEVE	
A. ...				TOLERANCE EXCEPT AS NOTED		A C-152654	
OR ... DATE ...				NAME		WIRE TERMINAL ASSY	